



Gooch & Housego



OL 700-30 Goniometric Measurement Assembly

The OL 700-30 Goniometric Measurement Assembly (goniometer) is designed to operate with the OL 770-LED high-speed Multichannel LED Test & Measurement System. The OL 770-LED Windows[®]-based application software provides complete control of the OL 700-30 goniometer with a comprehensive suite of spatial radiation measurement routines.

The OL 700-30 goniometer also features ActiveX[™] controls and a software development kit (SDK). This enables the instrument to accommodate custom applications as developed by the user, including applications independent of the OL 770-LED.

The lightweight, small footprint design makes the OL 700-30 ideal for QA and production floor DUT spot checks.

FEATURES

- Comprehensive suite of spatial radiation distribution measurements
- High-speed USB interface
- Powerful measurement software included
- Graphical presentation of any parameter vs. angle
- Easily customizable with ActiveX[™] controls
- Lightweight, small footprint design
- Conforms to CIE Publication 127 Condition A for Averaged LED Radiant Intensity Measurements *

* Requires OL 15AB Led Receptor or OL 700-30A Condition A Tube

Measurements Include:

- View Angle
- Maximum intensity vs angle
- Chromaticity vs angle
- Tristimulus vs angle
- Lab/Luv vs angle
- CRI vs angle
- Relative power vs angle
- Peak wavelength vs angle
- Dominant wavelength vs angle
- Half bandwidth vs angle
- Color temperature vs angle
- Purity vs angle
- Power vs angle

Contact: sales@goochandhousego.com

www.goochandhousego.com

As part of our policy of continuous product improvement, we reserve the right to change specifications at any time



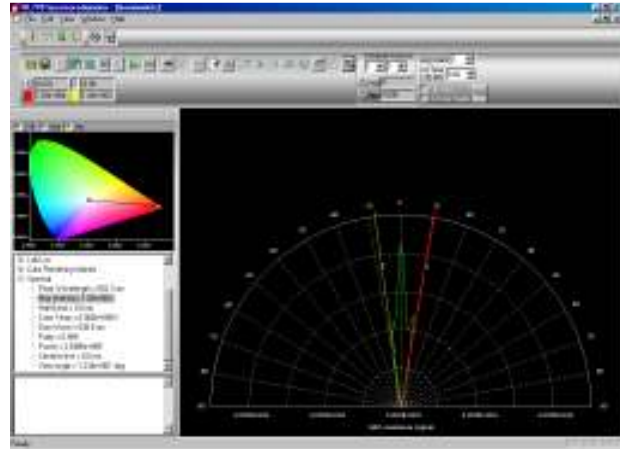
SPECIFICATIONS

Automated horizontal range, θ	-90° to +90°
Minimum horizontal angle resolution	0.01°
Angular Accuracy *	0.001°
Maximum horizontal rotation rate @ 1° measurement interval	15° per second
Manual axial range, ϕ	-90° to +90°
Minimum horizontal angle resolution	10°
Computer interface	USB
Power requirement	External 12 VDC / 800mA main adapter (supplied)
Single linear positioning stage with center of rotation tool	≤ 12 mm linear travel
Test device interface	Banana jack (3)
Outputs	TTL trigger output to measurement device (BNC)
Dimensions	12.5" (31.75 cm) X 6.5" (16.51 cm) X 8" (20.32 cm)
Weight	14.5 lbs. (6.6 kg)
Enclosure	Black anodized aluminum, light resistant enclosure

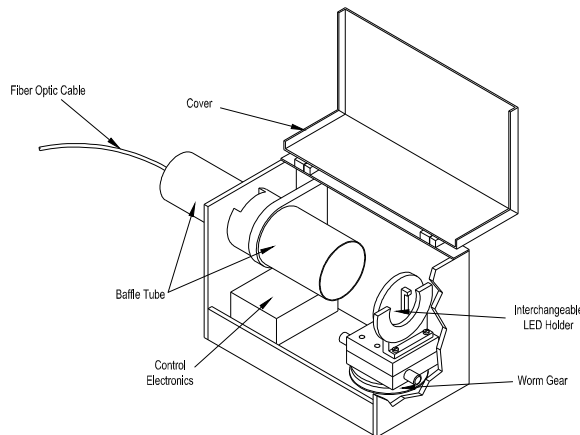
* Accumulative error for each movement (start – stop) with allowance for backlash

Software Features

- Graphical presentation of any parameter vs. angle
- Automated view angle calculation
- Toggle from spatial graph to spectral scan at any angle
- Send plots/data to MS Word®
- Send data to MS Excel®
- Goniometric file save/ load
- Polar plot cursors controlled by mouse
- Cursor difference measurements
- Peak snap cursor function
- CIE plot at each angle
- Manual angle control
- Software Developers' Kit included



Spatial Scan of Red LED – Maximum intensity vs. angle



Contact: sales@goochandhousego.com

www.goochandhousego.com

As part of our policy of continuous product improvement, we reserve the right to change specifications at any time

